



THE AGA KHAN UNIVERSITY

eCommons@AKU

Section of Neurology

Department of Medicine

March 2012

# Syndrome of Hepatic Cirrhosis, Dystonia, Polycythemia, and Hypermanganesemia Caused by Mutations in SLC30A10, a Manganese Transporter in Man

Karin Tuschl

Peter T. Clayton

Sidney M., Jr. Gospe

Shamshad Gulab  
*Aga Khan University*

Shahnaz Ibrahim  
*Aga Khan University*

*See next page for additional authors*

Follow this and additional works at: [https://ecommons.aku.edu/pakistan\\_fhs\\_mc\\_med\\_neurol](https://ecommons.aku.edu/pakistan_fhs_mc_med_neurol)

 Part of the [Neurology Commons](#)

## Recommended Citation

Tuschl, K., Clayton, P., Gospe, S., Gulab, S., Ibrahim, S., Singhi, P., Aulakh, R., Ribeiro, R., Barsottini, O., Zaki, M., Luz Del Rosario, M., Dyack, S., Price, V., Rideout, a., Gordon, K., Wevers, R., Chong, W., Mills, P. (2012). Syndrome of Hepatic Cirrhosis, Dystonia, Polycythemia, and Hypermanganesemia Caused by Mutations in SLC30A10, a Manganese Transporter in Man. *American Journal of Human Genetics*, 90(3), 457-466.

Available at: [https://ecommons.aku.edu/pakistan\\_fhs\\_mc\\_med\\_neurol/77](https://ecommons.aku.edu/pakistan_fhs_mc_med_neurol/77)

---

**Authors**

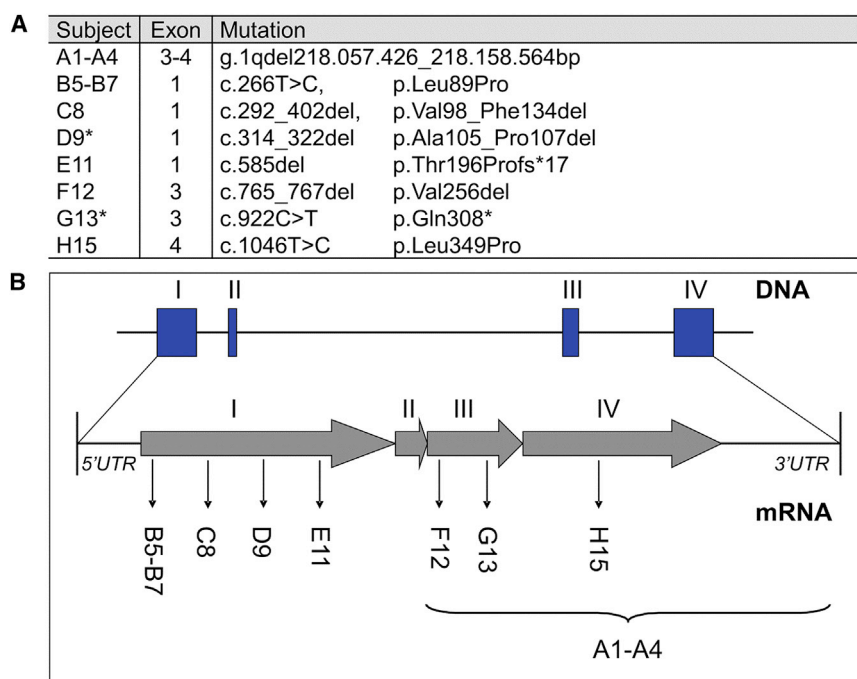
Karin Tuschl; Peter T. Clayton; Sidney M., Jr. Gospe; Shamshad Gulab; Shahnaz Ibrahim; Pratibha Singhi; Roosy Aulakh; Reinaldo T. Ribeiro; Orlando G. Barsottini; Maha S. Zaki; Maria Luz Del Rosario; Sarah Dyack; Victoria Price; andrea Rideout; Kevin Gordon; Ron A. Wevers; W. K. 'Kling' Chong; and Philippa B. Mills

# Syndrome of Hepatic Cirrhosis, Dystonia, Polycythemia, and Hypermanganesemia Caused by Mutations in *SLC30A10*, a Manganese Transporter in Man

Karin Tuschl,\* Peter T. Clayton, Sidney M. Gospe Jr., Shamshad Gulab, Shahnaz Ibrahim, Pratibha Singhi, Roosy Aulakh, Reinaldo T. Ribeiro, Orlando G. Barsottini, Maha S. Zaki, Maria Luz Del Rosario, Sarah Dyack, Victoria Price, Andrea Rideout, Kevin Gordon, Ron A. Wevers, W.K. "Kling" Chong, and Philippa B. Mills

(The American Journal of Human Genetics 90, 457–466; March 9, 2012)

In this article, Figure 1 contained an error regarding the position of the deletion detected in the affected individuals of family A. The no-call SNPs between the coordinates 218,057,426 and 218,158,564 (GRCh36) suggest that exons 3 and 4 of *SLC30A10* are deleted, whereas the original figure showed that exons 1 and 2 were deleted. The corrected Figure 1 and its legend are shown here. The authors regret the error.



**Figure 1.** *SLC30A10* Mutations in Affected Families with a Syndrome of Hepatic Cirrhosis, Dystonia, Polycythemia, and Hypermanganesemia

(A) Mutations in *SLC30A10* identified by DNA sequencing. (For families D and G no DNA was available for analysis of deceased siblings D-II-3 and G-II-1.)

(B) Genomic structure of the exons encoding *SLC30A10* and positions of identified mutations. The large deletion spanning exons 3 and 4 in family A is indicated by a bracket.

\*Correspondence: [k.tuschl@ucl.ac.uk](mailto:k.tuschl@ucl.ac.uk)

<http://dx.doi.org/10.1016/j.ajhg.2016.07.015>.

© 2016 American Society of Human Genetics.

This is an open access article under the CC BY-NC-ND license (<http://creativecommons.org/licenses/by-nc-nd/3.0/>).